

Pegler PB800

2-piece Full Port Bronze Ball Valve
yellow lever, female ends

DESCRIPTION

The Pegler Yorkshire PB800 is a Full Port Bronze Ball Valve suitable for a wide range of commercial and light industrial applications, these include hot and cold water, HVAC Low pressure steam and both LPG/natural gas. These NPT threaded, 2-piece valves combine reliable operation with maximum economy.

FEATURES

- Heavy Pattern Cast Design
- Corrosion Resistant Materials
- Full-Port Flow
- Premium PTFE Seats and Packing
- Adjustable Stem Packing
- Blow-Out Proof Stem
- Silicone Free Assembly
- 100% Factory Tested

APPROVALS

- MSS-SP-110 Compliant
- UL Guides: YSDT, MHKZ, YQNZ, YRBX & YRPV
- UL Guide VQGU (1/4" – 2")

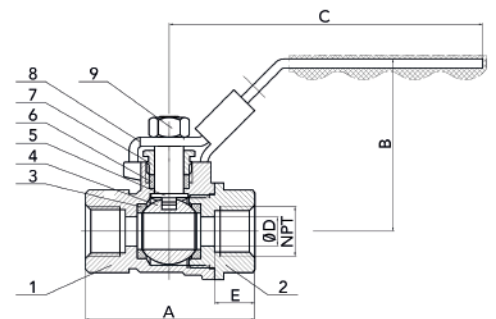


SIZES

Taper / American (NPT) Taper								
Range	1/4"	3/8"	1/2"	3/4"	1"	1 1/4"	1 1/2"	2"
ANSI (NPT)(Taper)	257003	257004	257005	257006	257007	257008	257009	257010

DIMENSIONS

SIZE	A	B	C	D	E
1/4"	1.831	1.862	3.386	0.315	0.433
3/8"	1.831	1.862	3.386	0.382	0.433
1/2"	2.106	2.047	3.543	0.492	0.571
3/4"	2.559	2.224	3.543	0.728	0.591
1"	2.933	2.638	4.528	0.965	0.669
1 1/4"	3.406	2.835	4.528	1.220	0.748
1 1/2"	3.720	3.374	5.512	1.496	0.787
2"	4.370	3.839	8.031	1.969	0.827



MATERIAL SPECIFICATION

Component	
1 Body	Bronze C84400
2 Retainers	Bronze C84400
3 Seats	PTFE (Teflon)
4 Ball	Brass ASTM B283, C37700 Chrome Plated
5 Stem	Brass ASTM B283 C37700
6 Stem Packing	PTFE
7 Gland Nut	Brass ASTM B16, C36000
8 Yellow Lever	Plated Steel / Insulated Polyvinyl
9 Stem Nut	A570 GrA



PERFORMANCE RATING

- Rating: 600psi CWP (1/4" – 2")
- Rating: 150psi SWP (1/4"-2")
- Max Temperature 500°F
- Vacuum Service to 29 in. Hg

HEAD OFFICE

Pegler Yorkshire Group Limited
St. Catherine's Avenue, Doncaster,
South Yorkshire DN4 8DF, England
Tel: +44 (0) 1302 855 656
Fax: +44 (0) 1302 730 513
Email: info@pegler-yorkshire.co.uk
www.pegler-yorkshire.co.uk

MIDDLE EAST OFFICE

Pegler Yorkshire ME FZE
B-301 Headquarters
Dubai Silicon Oasis
PO Box 502672, Dubai, UAE
Tel: +971 4 501 5929
Fax: +971 4 501 5930
Email: pydubai@mailme.ae

Registered in England Company No. 00401507
Registered Office: Haigh Park Road, Stourton,
Leeds, West Yorkshire, LS10 1RT England
All brand names and logo styles are registered
trademarks. Maintaining a policy of continual
product development, Pegler Yorkshire
reserves the right to change specifications,
design and materials of products listed in this
publication without prior notice.
LIT.REF: